
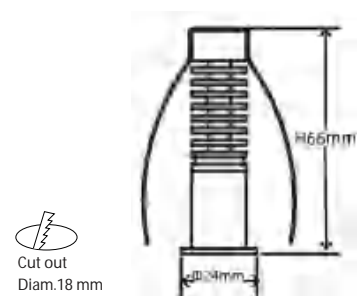


RECESSED MINI SPOTLIGHT

GAMMA

Product series	CASSINA
Application areas	Accent lighting
Pan/tilt range	Fixed
Mounting	Recessed
Lighting technology	LED
LED Luminous Flux Class	120LM/W
Light colour White	2700K, 3000K,3500K, 4000K
Cooling	Passive
Supply unit	Driver Separated
Luminaire colour	RAL 9005 jet black RAL 9016 traffic white Special colours on request
Surface	Structure powder-coated
Nominal voltage	220 - 240 V, 50/60Hz
Lighting controls	On Request
Weight	Approx. 0.06kg
Test seal	




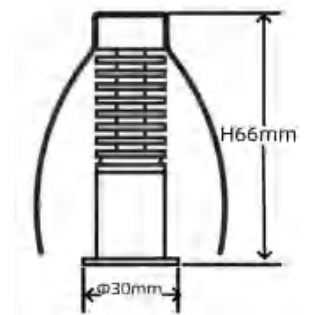
Code composition/ Composizione del codice

Model	Power	Light flux	Cut-off size	size	Beam Angle	CRI	FUNTION
GMC010	3-5W	40-50LM/W	18mm	24*H66mm	10°/15°	90	ON/OFF DIM/DALI/0-10V

RECESSED MINI SPOTLIGHT

GAMMA

Product series	CASSINA
Application areas	Accent lighting
Pan/tilt range	Fixed
Mounting	Recessed
Lighting technology	LED
LED Luminous Flux Class	120LM/W
Light colour White	2700K, 3000K,3500K, 4000K
Cooling	Passive
Supply unit	Driver Separated
Luminaire colour	RAL 9005 jet black RAL 9016 traffic white Special colours on request
Surface	Structure powder-coated
Nominal voltage	220 - 240 V, 50/60Hz
Lighting controls	On Request
Weight	Approx. 0.1kg
Test seal	




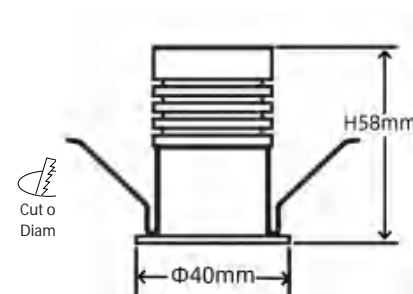
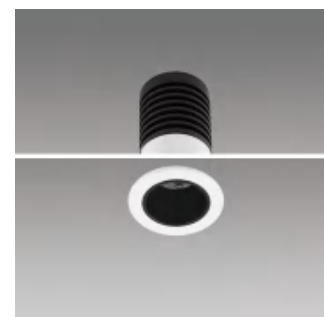
Code composition/ Composizione del codice

Model	Power	Light flux	Cut-off size	size	Beam Angle	CRI	FUNTION
GMC010	3-5W	40-50LM/W	25mm	30*H66mm	10°/15°	90	ON/OFF DIM/DALI/0-10V

RECESSED MINI SPOTLIGHT

GAMMA

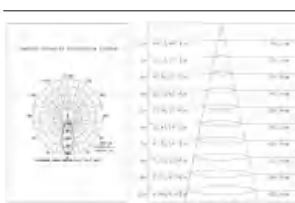
Product series	CASSINA
Application areas	Accent lighting
Pan/tilt range	Fixed
Mounting	Recessed
Lighting technology	LED
LED Luminous Flux Class	120LM/W
Light colour White	2700K, 3000K,3500K, 4000K
Cooling	Passive
Supply unit	Driver Separated
Luminaire colour	RAL 9005 jet black RAL 9016 traffic white Special colours on request
Surface	Structure powder-coated
Nominal voltage	220 - 240 V, 50/60Hz
Lighting controls	On Request
Weight	Approx. 0.23kg
Test seal	




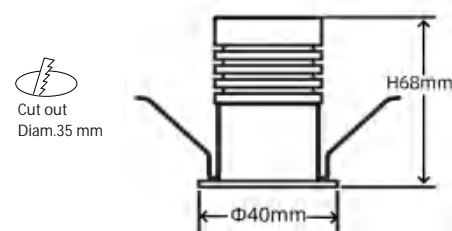
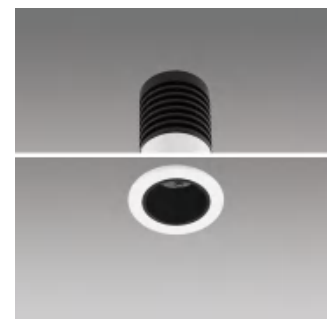
Code composition/ Composizione del codice

Model	Power	Light flux	Cut-off size	size	Beam Angle	CRI	FUNTION
GMC010	5-7W	40-50LM/W	35mm	40*H58mm	15°/24°/36°	90	ON/OFF DIM/DALI/0-10V

36°-3000K-CRI90



Product series	CASSINA
Application areas	Accent lighting
Pan/tilt range	Fixed
Mounting	Recessed
Lighting technology	LED
LED Luminous Flux Class	120LM/W
Light colour White	2700K, 3000K,3500K, 4000K
Cooling	Passive
Supply unit	Driver Separated
Luminaire colour	RAL 9005 jet black RAL 9016 traffic white Special colours on request
Surface	Structure powder-coated
Nominal voltage	220 - 240 V, 50/60Hz
Lighting controls	On Request
Weight	Approx. 0.16kg
Test seal	




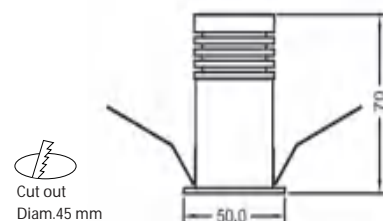
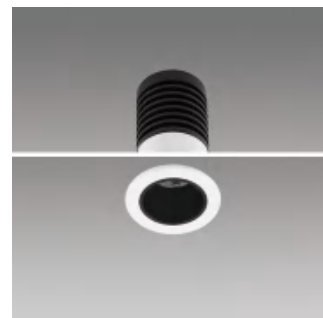
Code composition/ Composizione del codice

Model	Power	Light flux	Cut-off size	size	Beam Angle	CRI	FUNTION
GMC010	7-9W	40-50LM/W	35mm	40*H68mm	15°/24°/36°	90	ON/OFF DIM/DALI/0-10V

36°-3000K-CRI90



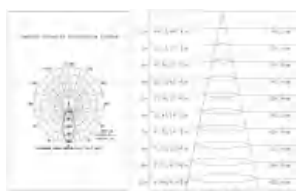
Product series	CASSINA
Application areas	Accent lighting
Pan/tilt range	Fixed
Mounting	Recessed
Lighting technology	LED
LED Luminous Flux Class	120LM/W
Light colour White	2700K, 3000K,3500K, 4000K
Cooling	Passive
Supply unit	Driver Separated
Luminaire colour	RAL 9005 jet black RAL 9016 traffic white Special colours on request
Surface	Structure powder-coated
Nominal voltage	220 - 240 V, 50/60Hz
Lighting controls	On Request
Weight	Approx. 0.23kg
Test seal	



Code composition/ Composizione del codice

Model	Power	Light flux	Cut-off size	size	Beam Angle	CRI	FUNTION
GMC010	7-9W	40-50LM/W	45mm	50*H70mm	15°/24°/36°	90	ON/OFF DIM/DALI/0-10V

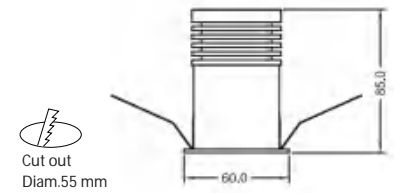
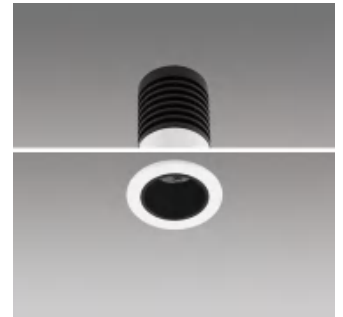
36°-3000K-CRI90



RECESSED MINI SPOTLIGHT

GAMMA

Product series	CASSINA
Application areas	Accent lighting
Pan/tilt range	Fixed
Mounting	Recessed
Lighting technology	LED
LED Luminous Flux Class	120LM/W
Light colour White	2700K, 3000K,3500K, 4000K
Cooling	Passive
Supply unit	Driver Separated
Luminaire colour	RAL 9005 jet black RAL 9016 traffic white Special colours on request
Surface	Structure powder-coated
Nominal voltage	220 - 240 V, 50/60Hz
Lighting controls	On Request
Weight	Approx. 0.23kg
Test seal	



Code composition/ Composizione del codice

Model	Power	Light flux	Cut-off size	size	Beam Angle	CRI	FUNTION
GMC010	9-12W	40-50LM/W	55mm	60*H85mm	10/15/24/36	90	ON/OFF DIM/DALI/0-10V

36°-3000K-CRI90

