
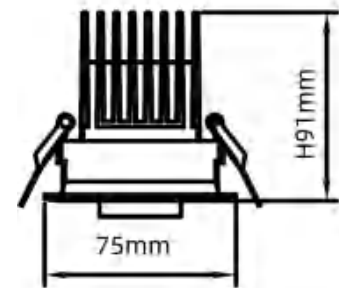


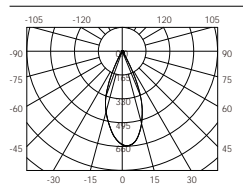
Product series	WEE
Application areas	Accent lighting
Pan/tilt range	Fixed
Mounting	SURFACE MOUNTED
Lighting technology	LED
LED Luminous Flux Class	120LM/W
Light colour White	2700K, 3000K, 3000K - Efficient White, 3000K - Brilliant Colour,3500K, 4000K
Cooling	Passive
Supply unit	Driver Separated
Luminaire colour	RAL 9005 jet black RAL 9016 traffic white Special colours on request
Surface	Structure powder-coated
Nominal voltage	220 - 240 V, 50/60Hz
Lighting controls	On Request
Weight	Approx. 0.25kg
Test seal	



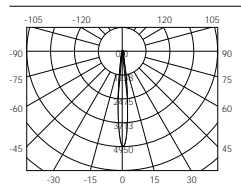
Code composition/ Composizione del codice

Model	Power	Light flux	Cut-off size	size	Beam Angle	FUNTION
GMC410	9W/12W/15W	70-80LM/W	75mm	75*H 91mm	10D-60D	ON/OFF DIM/DALI/0-10V

MAX ANGLE



MINI ANGLE



Accessories




SOLITE
SOFTENING
LENS

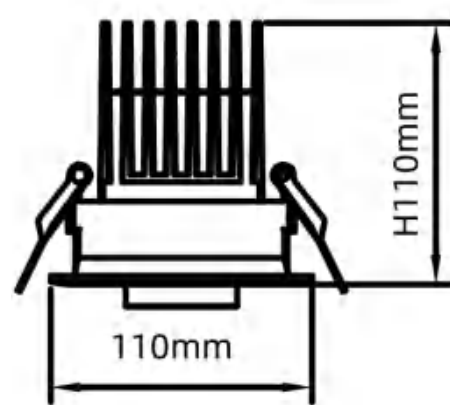


HONEY
COMB

RECESSED ZOOMABLE SPOT LIGHT

GAMMA

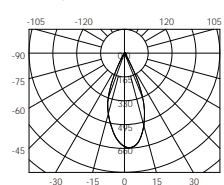
Product series	WEE
Application areas	Accent lighting
Pan/tilt range	Tilt
Mounting	Recessed
Lighting technology	LED
LED Luminous Flux Class	120LM/W
Light colour White	2700K, 3000K, 3000K - Efficient White, 3000K - Brilliant Colour, 3500K, 4000K
Cooling	Passive
Supply unit	Driver Separated
Luminaire colour	RAL 9005 jet black RAL 9016 traffic white Special colours on request
Surface	Structure powder-coated
Nominal voltage	220 - 240 V, 50/60Hz
Lighting controls	On Request
Weight	Approx. 0.5kg
Test seal	



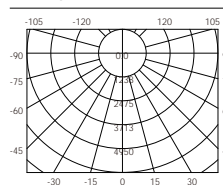
Code composition/ Composizione del codice

Model	Power	Light flux	Cut-off size	size	Beam Angle	FUNTION
GMG521	20W	70-80LM/W	95mm	110*H110mm	10D-60D	ON/OFF DIM/DALI/0-10V

MAX ANGLE



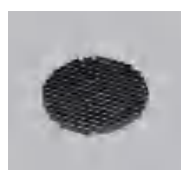
MINI ANGLE



Accessories




SOLITE
SOFTENING
LENS

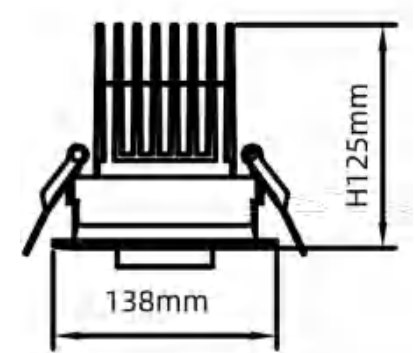


HONEY
COMB

RECESSED ZOOMABLE SPOT LIGHT

GAMMA

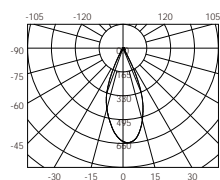
Product series	WEE
Application areas	Accent lighting
Pan/tilt range	Tilt
Mounting	Recessed
Lighting technology	120LM/W
LED Luminous Flux Class	2700K, 3000K, 3000K - Efficient White,
Light colour White	3000K - Brilliant Colour, 3500K, 4000K
	Passive
Cooling	Driver Separated
Supply unit	RAL 9005 jet black
Luminaire colour	RAL 9016 traffic white
	Special colours on request
Surface	Structure powder-coated
Nominal voltage	220 - 240 V, 50/60Hz
Lighting controls	On Request
Weight	Approx. 0.65kg
Test seal	



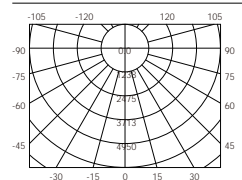
Code composition/ Composizione del codice

Model	Power	Light flux	Cut-off size	size	Beam Angle	FUNTION
GMG521	30W	70-80LM/W	125mm	138*H125mm	10D -60D	ON/OFF DIM/DALI/0-10V

MAX ANGLE



MINI ANGLE



Accessories



SOLITE
SOFTENING
LENS



HONEY
COMB