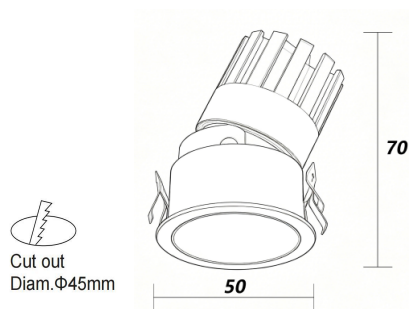


Code :

Project :



Model No. GMC011

LED Power	7W
LED Luminous Flux Class	120lm/w
Luminaire Efficacy	720lm
CCT	2700K / 3000K / 4000K / 5000K
Beam Angle	15° / 24° / 36° / 55°
CRI	Ra 90

Cut-out(mm)	Ø45 mm
Size(mm)	Ø50*70 mm
Adjustability	Adjustable
Tilting Angle	Rotate 355° & Tilt 20°
Installation	Recessed
Material	Aluminum
Weight (kg)	0.3 kg

Driver Input Voltage	220V ~ 240V 50/60Hz
Light Source Brand	Evercore
Driver Position	External
Driver Brand	Eaglerise

Test Seal

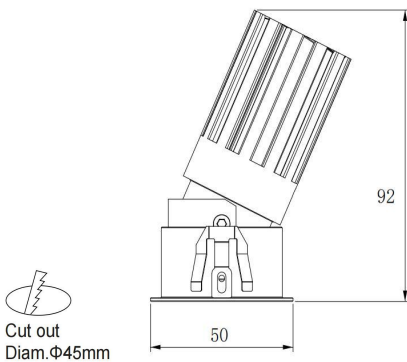


Driver Options

0-10V/DALI/Triac/ON/OFF

Code :

Project :



Model No. GMC011

LED Power	10W
LED Luminous Flux Class	120lm/w
Luminaire Efficacy	720lm
CCT	2700K / 3000K / 4000K / 5000K
Beam Angle	15° / 24° / 36° / 55°
CRI	Ra 90

Cut-out(mm)	Ø45 mm
Size(mm)	Ø50*92 mm
Adjustability	Adjustable
Tilting Angle	Rotate 355° & Tilt 20°
Installation	Recessed
Material	Aluminum
Weight (kg)	0.3 kg

Driver Input Voltage	220V ~ 240V 50/60Hz
Light Source Brand	Evercore
Driver Position	External
Driver Brand	Eaglerise

Test Seal



Driver Options

0-10V/DALI/Triac/ON/OFF
